

**OWNER'S /
ASSEMBLY
MANUAL**

NOTE:
Please read all instructions
carefully before using this
product.

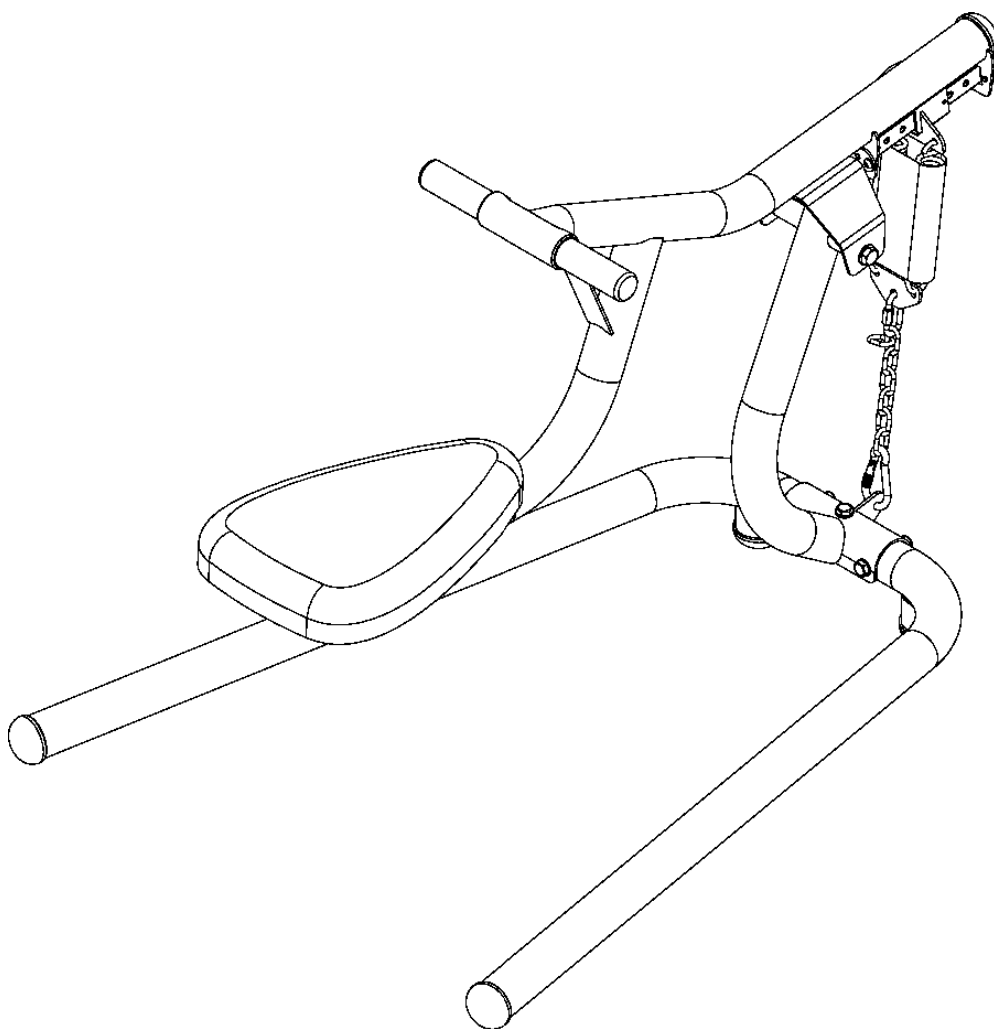
Model
BTT

Retain This
Manual for
Reference

4-2013

Gym Dandy[®]

BOUNCING TEETER TOTTER BTT



IMPORTANT: Please read this manual before commencing
assembly of this product.

Gym Dandy

4945 East Hunter Ave., Anaheim, CA 92807

Tel: 714-376-9881 Fax: 714-838-1555

TABLE OF CONTENTS

BEFORE YOU BEGIN.....	1
IMPORTANT SAFETY NOTICES.....	2
CONSUMER INFORMATION SHEET - PLAYGROUND SURFACE MATERIALS.....	3
WARNING LABEL PLACEMENT.....	4
IMPORTANT ASSEMBLY INFORMATION.....	5
CARE AND MAINTANENCE.....	5
WEIGHT CAPACITY / DIMENSION.....	5
PARTS LIST.....	6
EXPLODED DIAGRAM.....	7
STEP 1 ASSEMBLY.....	8
STEP 2 ASSEMBLY.....	9
STEP 3 ASSEMBLY.....	10
ADJUSTMENTS FOR USING.....	11
WARRANTY.....	12
ORDERING PARTS.....	12

BEFORE YOU BEGIN

Thank you for selecting the Gym Dandy Bouncing Teeter Totter BTT. For your safety and benefit, read this manual carefully before using the equipment. If you have any questions, or find there are missing or damaged parts, *please call our customer service number* listed below.

<p>Customer Service Number 714-376-9881 Mon. – Fri. 9 a.m. – 5 p.m. PST</p>
--

IMPORTANT SAFETY NOTICE

This playground equipment is built for optimum safety. However, certain precautions apply whenever you operate a piece of playground equipment. Be sure to read the entire manual before you assemble or operate your equipment. In particular, note the following safety precautions to reduce the likelihood of serious or fatal injury.

1. Children must be supervised at all times and never left unattended with the unit.
2. Do not install the equipment over concrete, asphalt, packed earth, or any other hard surface. A fall onto a hard surface can result in serious injury to the user.
3. Make sure the surfaces, either indoors or outdoors, are free of objects that may cause the unit to tip over.
4. Place the equipment on level surface, not less than 6 ft (1.8 m) from any structure or obstruction such as fence, garage, house, overhanging branches, laundry lines, or electrical wires.
5. Make sure bystanders are at least 5 feet away from the equipment while it is in motion. No one should be allowed to walk close to, in front of, behind, or between moving items.
6. Keeps hands and feet away from the pivot area.
7. Do not get off from seat while it is in motion.
8. Do not stand on the teeter-totter. This could cause damage and result in injury.
9. Do not bounce with an empty seat.
10. Children should not wear loose clothing.
11. This teeter totter is intended for use by children from ages 2 to 10 with adult supervision.
12. Maximum weight capacity 90 lbs.
13. Only one person should be using the equipment at a time.
14. Impact-absorbing material must be placed around the bouncing teeter totter. Please refer to the PLAYGROUND SURFACING MATERIALS in page 3.
15. Maximum fall height: 52 inches.
16. To prevent serious injury, children must NOT use the equipment until properly installed.
17. To prevent serious injury, parents must warn children not to use this equipment in a manner other than intended.
18. To prevent serious injury, parents must warn children not to attach items to the equipment that are not specifically designed for use with the equipment.
- 19. Lock the Bouncing Teeter Totter by moving the spring resistance all the way out when not in use. This prevents small children from bouncing.**
- 20. This Teeter Totter is for Home Use only.**
- 21. Read ADJUSTMENTS FOR USING in this manual before making any adjustments.**

SAVE THESE INSTRUCTIONS.

CONSUMER INFORMATION SHEET FOR PLAYGROUND SURFACING MATERIALS

The U.S. Consumer Product Safety Commission (CPSC) estimates that about 100,000 playground equipment-related injuries resulting from falls to the ground surface are treated annually in U.S. hospital emergency rooms. Injuries involving this hazard pattern tend to be among the most serious of all playground injuries, and have the potential to be fatal, particularly when the injury is to the head. The surface under and around playground equipment can be a major factor in determining the injury-causing potential of a fall. It is self evident that a fall onto a shock absorbing surface is less likely to cause a serious injury than a fall onto a hard surface. Playground equipment should never be placed on hard surfaces such as concrete or asphalt and while grass may appear to be acceptable it may quickly turn to hard packed earth in areas of high traffic. Shredded bark mulch, wood chips, fine sand or fine gravel are considered to be acceptable shock absorbing surfaces when installed and maintained at a sufficient depth under and around playground equipment.

The following table lists the maximum height from which a child would not be expected to sustain a life-threatening head injury in a fall onto four different loose-fill surfacing materials if they are installed and maintained at depths of 6, 9, and 12 inches. However, it should be recognized that all injuries due to falls cannot be prevented no matter what surfacing material is used.

FALL HEIGHT IN FEET FROM WHICH A LIFE THREATENING HEAD INJURY WOULD NOT BE EXPECTED			
TYPE OF MATERIAL	6-INCH DEPTH	9-INCH DEPTH	12-INCH DEPTH
Double Shredded Bark Mulch	6	10	11
Wood Chips	6	7	12
Fine Sand	5	5	9
Fine Gravel	6	7	10

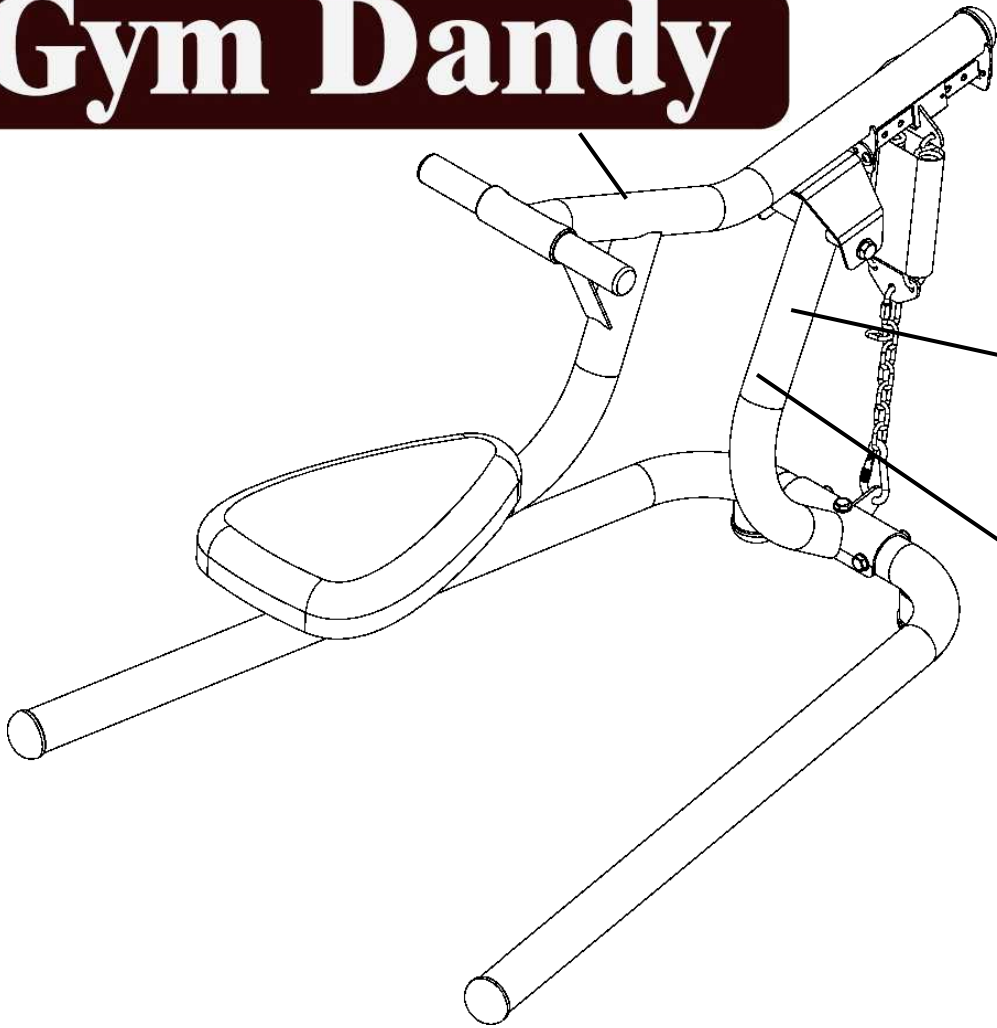
It is recommended that a shock absorbing material should extend a minimum of 6 feet in all directions from the perimeter of stationary equipment such as climbers and slides. However, because children may deliberately jump from a moving swing, the shock absorbing material should extend in the front and rear of a swing a minimum distance of 2 times the height of the pivot point measured from a point directly beneath the pivot on the supporting structure.

This information is intended to assist in comparing the relative shock-absorbing properties of various material. No particular material is recommended over another. However, every material is only effective when properly maintained. Materials should be checked periodically and replenished to maintain correct depth as determined necessary for your equipment. The choice of a material depends on the type and height of the playground equipment, the availability of the material in your area, and its cost.

This information has been extracted from the CPSC publications "Playground Surfacing - Technical Information Guide" and "Handbook for Public Playground Safety." Copies of these reports can be obtained by sending a postcard to the: Office of Public Affairs, U.S. Consumer Product Safety Commission, Washington, D.C., 20207 or call the toll-free hot line: 1-800-638-2772.

WARNING LABEL PLACEMENT

Gym Dandy



GYM DANDY
Serial #4- 13 - 03 -XXXXXX

⚠ WARNING

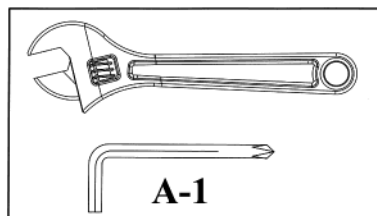
- . Children must be supervised and never unattended.
- . Use the Bouncer on a level surface. Never use on concrete or hard surfaces.
- . Make sure bystanders stay at least 6 feet away from the Bouncer while it is in motion.
- . Keep hands and feet away from pivot area and springs while it is in motion.
- . Do not get off the seat while it is in motion.
- . Do not stand on the Bouncer as it may cause damage and result in injury.
- . The Bouncer is intended for children 2-10 years old and under 90 lbs.
- . Replace label if damaged, illegible or removed.

The warning labels shown here have been placed on the Upright Frame. If the labels are missing or illegible, please call customer service at 714-376-9881 for replacements. Apply the labels in the location shown.

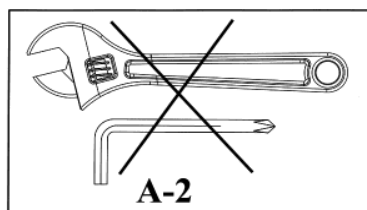
IMPORTANT ASSEMBLY INFORMATION

- ❖ Tools Required for Assembly: Two Adjustable Wrenches and Allen Wrenches.
- ❖ NOTE: It is strongly recommended that this equipment is assembled by two or more people to avoid possible injury.
- ❖ Always wait until all bolts are assembled onto the unit before tightening the bolts. Do not tighten each bolt right after it is installed

Fasten Nuts and Bolts



Securely tighten all Nuts and Bolts after all components have been assembled in current and previous steps.
NOTE: Do not over tighten any component with pivoting function.
Make sure all pivoting components are able to move freely.



Do not tighten all Nuts and Bolts in this step.

CARE AND MAINTENANCE

1. Periodically inspect all parts. Check all nuts and bolts every week for tightness and tighten as required.
2. Replace any worn and damaged part immediately. Check all covers over tubes or sharp edges weekly to be certain they are in place. Replace when necessary.
3. Cover the equipment with tarp when left outdoors.
4. Use mild household spray cleaners and/or a damp rag to wipe clean. Do not use harsh cleaning chemicals.
5. Sand rusted areas on tubular members and repaint using a non-lead based paint meeting the requirements of Title 16 CFR Part 1303.
6. Disposal Instructions – The equipment can be safely disassembled and disposed without unreasonable hazards. Call your local recycle agency regarding details of recycling.
7. During the play season, rake and check depth of loose fill protective surfacing materials twice a month to prevent compaction and to maintain appropriate depth.
8. At the end of each play season or when temperature drops below 32°F, store the equipment in a cool dry place.
9. **Failure to examine regularly may affect the safety level of the equipment.**

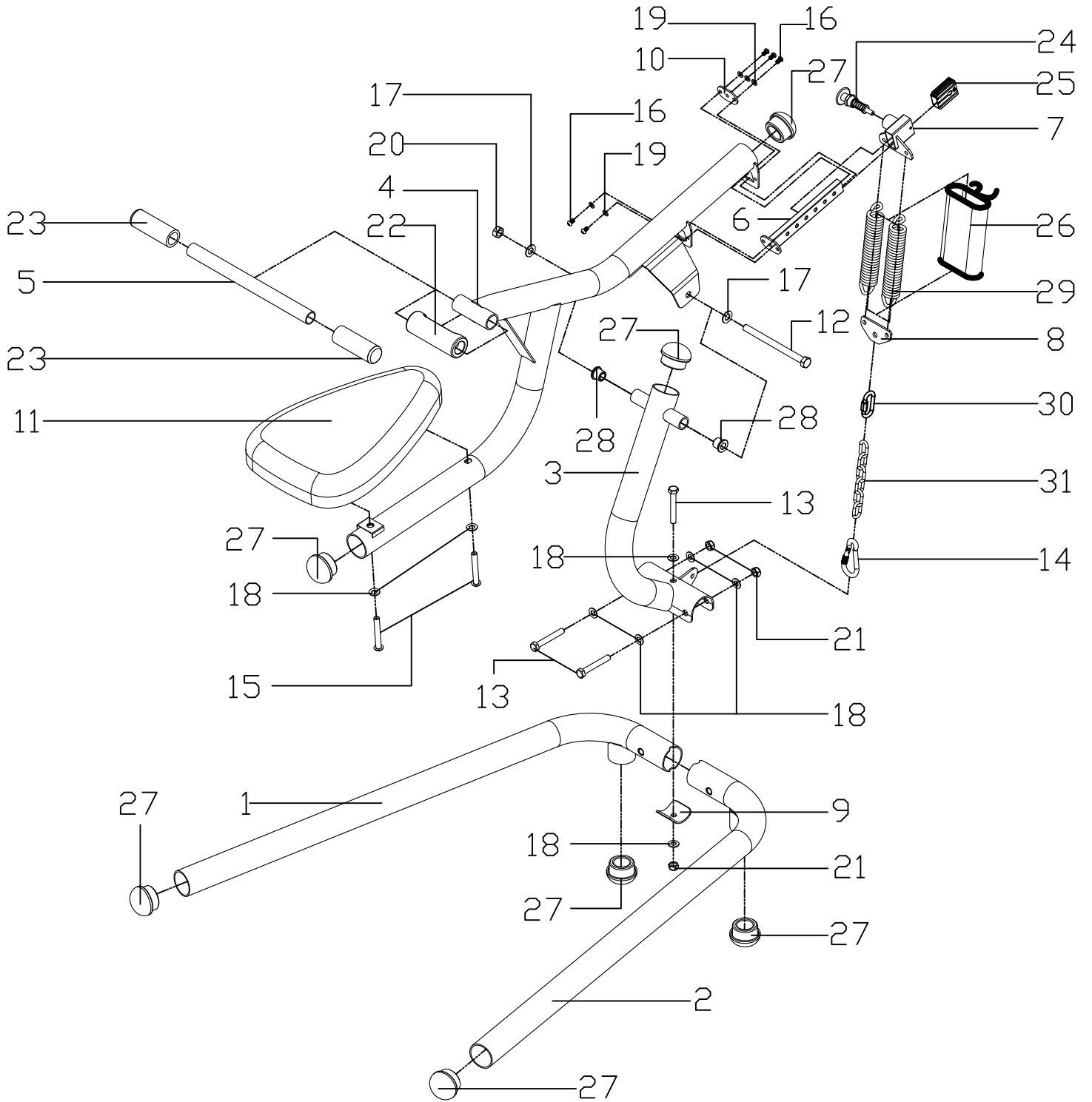
WEIGHT CAPACITY AND DIMENSION

1. Maximum weight capacity: 90 lbs.
2. Assembled Dimension: 48" x 31" x 36"
3. Space required to operate this equipment: 11 ft x 11 ft

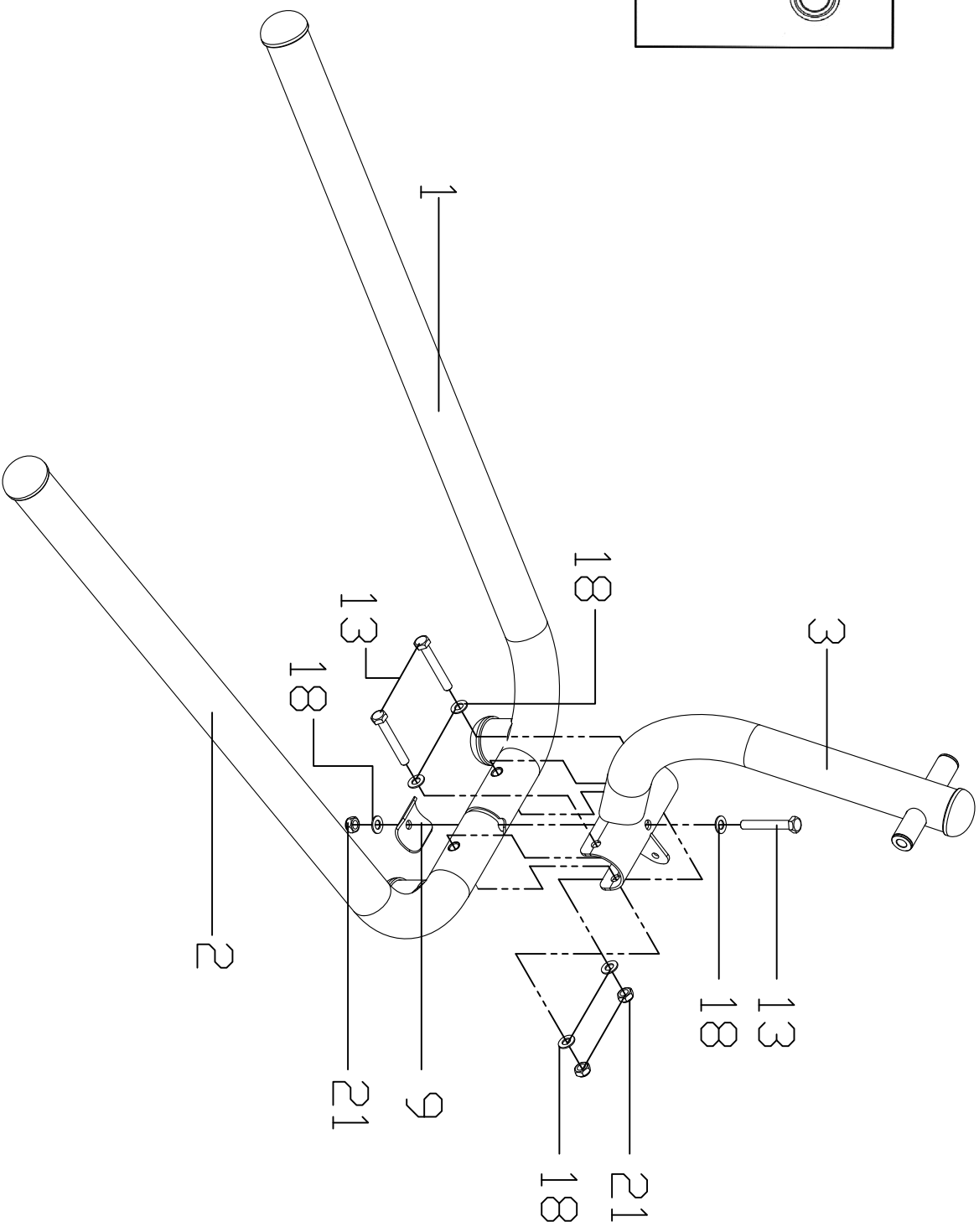
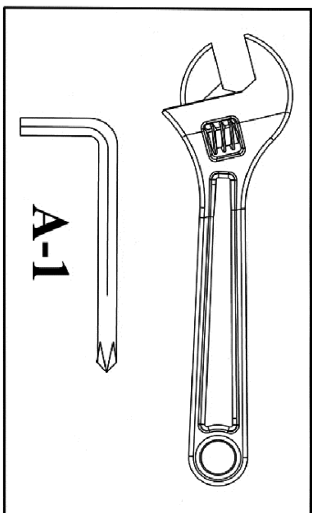
PARTS LIST




Parts List BTT			
Part#	Description	EVS Code	Q'ty (pcs)
1	Base Frame Weldment (L)	GM510-100-001	1
2	Base Frame Weldment (R)	GM510-100-002	1
3	Post Weldment	GM510-200-001	1
4	Main Frame Weldment	GM510-300-001	1
5	Handle Tube	GM510-321-005	1
6	Adjusting Tube Weldment	GM510-320-002	1
7	Adjusting Sleeve Weldment	GM510-320-001	1
8	Spring Plate	GM510-321-007	1
9	Small Curve Plate	GM510-321-006	1
10	Weldment Plate 3	GM510-321-008	1
11	Seat Assembly	GM510-400-001	1
12	M12*160 Hex Bolt	0111-012-162	1
13	M10*75Hex Bolt	0111-010-752	3
14	φ8 Spring link	GM190-561-015A	1
15	M10*70 Allen Bolt	0113-210-702	2
16	M6*12 Allen Bolt	0113-206-132	5
17	φ12 Washer	0116-012-02	2
18	φ10 Washer	0116-010-02	8
19	φ6 Washer	0116-006-02	5
20	M12 Lock Nut	0110-712-02	1
21	M10 Lock Nut	0110-710-02	3
22	Handle Cover	GM510-881-002	1
23	Handle Grip	GM510-821-001	2
24	T Spring Pin	GM510-560-001	1
25	Plastic Bushing	GM510-881-003	1
26	Spring Vinyl	GM510-400-002	1
27	Round Endcap	GM510-881-001	7
28	Brass Bushing 1	GM750-561-007	2
29	Tension Spring	GM510-561-008	2
30	φ6 Quick link	0200-070-082	1
31	φ5 Chain	GM510-561-007	1

EXPLODED DIAGRAM

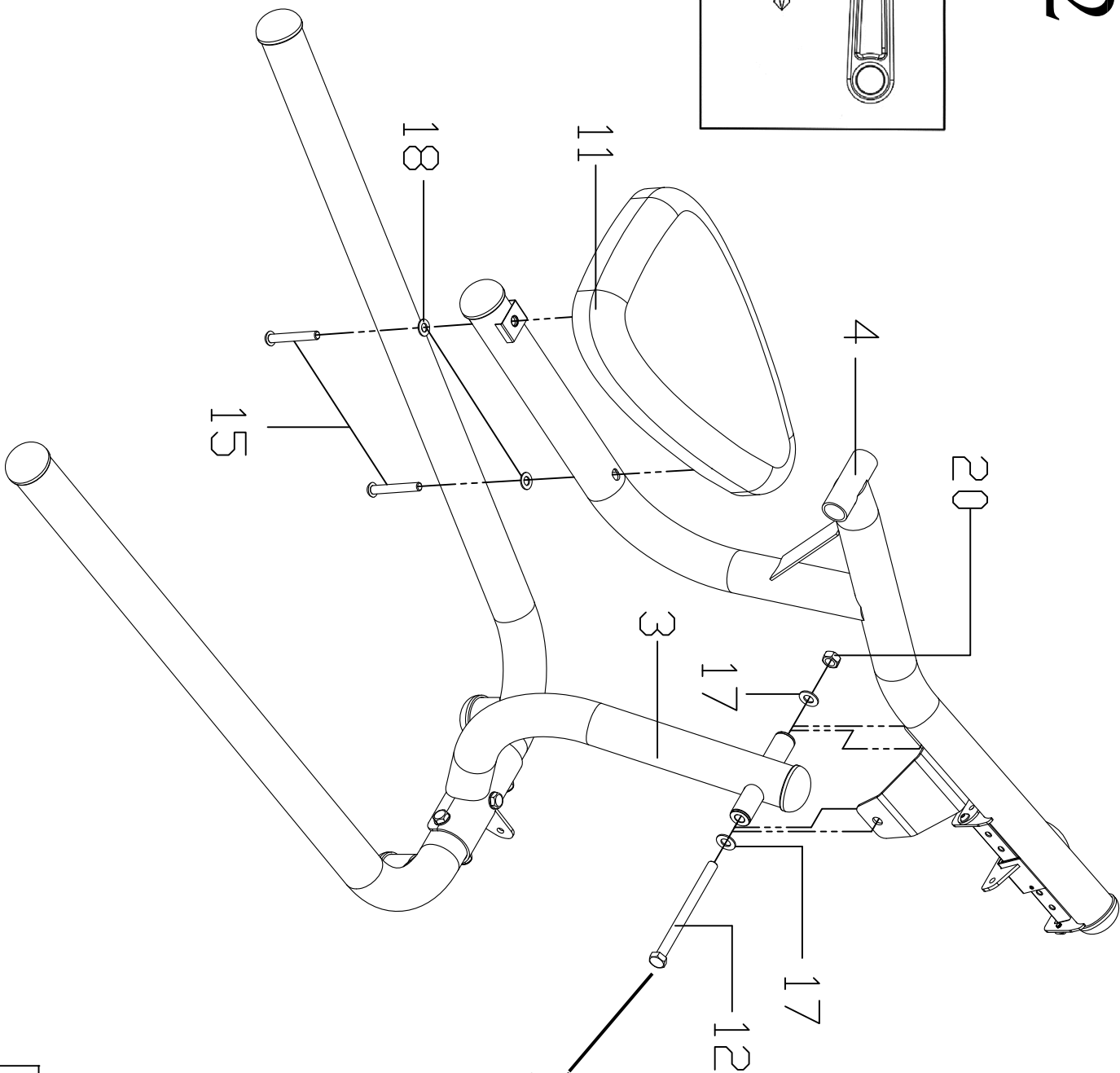
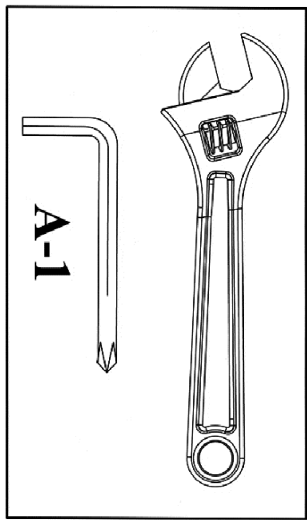


STEP 1








3X			
	M10*75	Ø10	M10

STEP 2

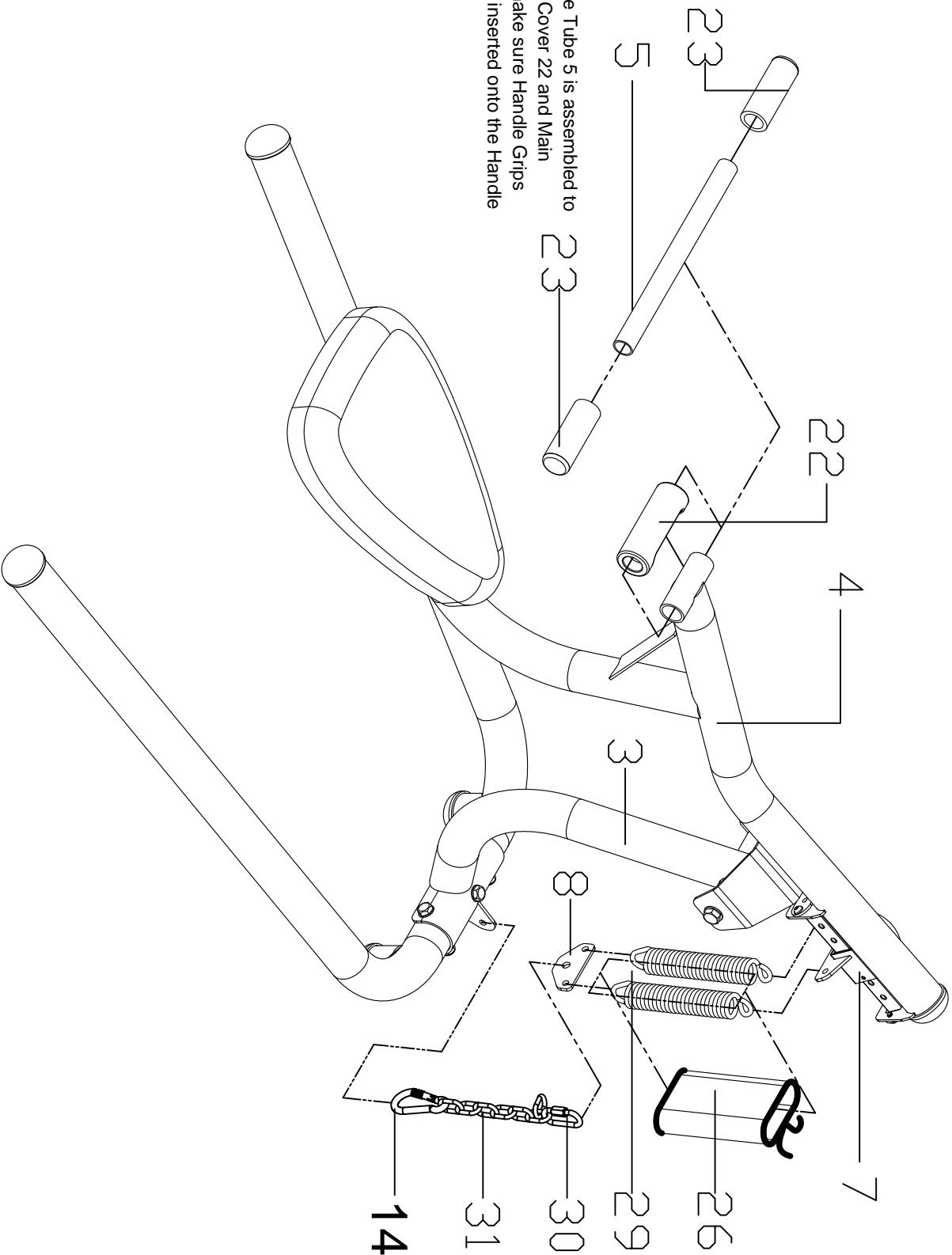


Tighten this pivot bolt just enough to secure nut on threads. It should pivot freely. Do not over tighten.

1X	2X			
				
M12*150	M10*70	Ø12	Ø10	M12

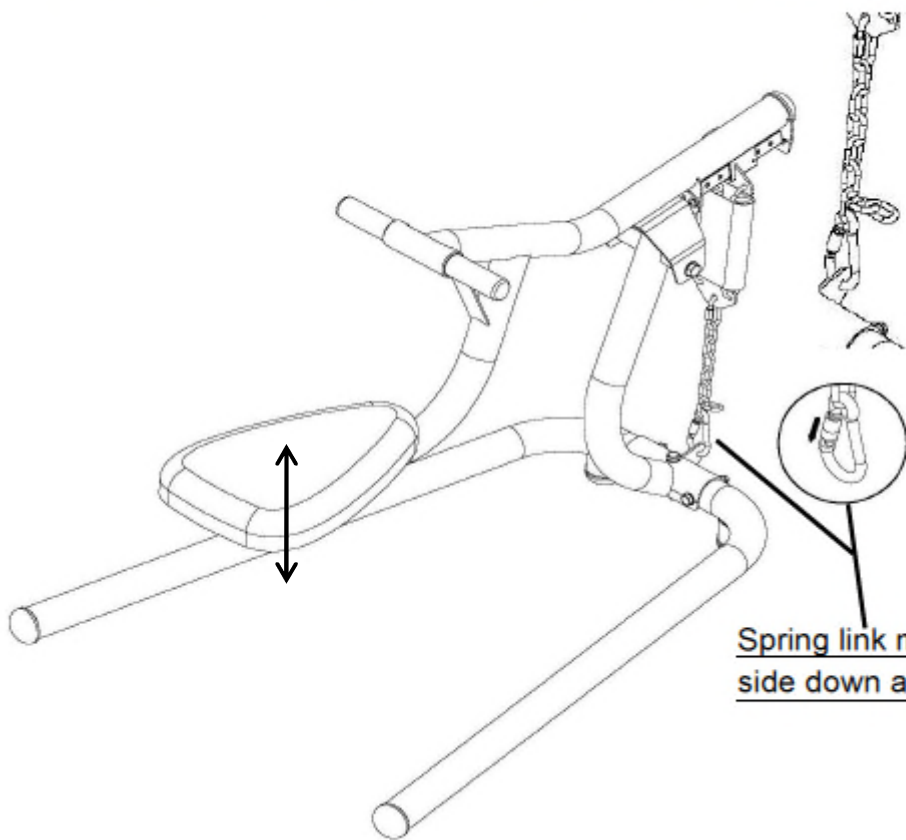
STEP 3

After Handle Tube 5 is assembled to the Handle Cover 22 and Main Frame 4, make sure Handle Grips 23 are fully inserted onto the Handle Tube 5.



Hook the Springs 29 in the holes on the Adjusting Sleeve 7. Slide the Spring Vinyl 26 up over the Springs 29 so the top is above the Springs and tighten the tie strings on top of the vinyl to secure the Spring Vinyl.

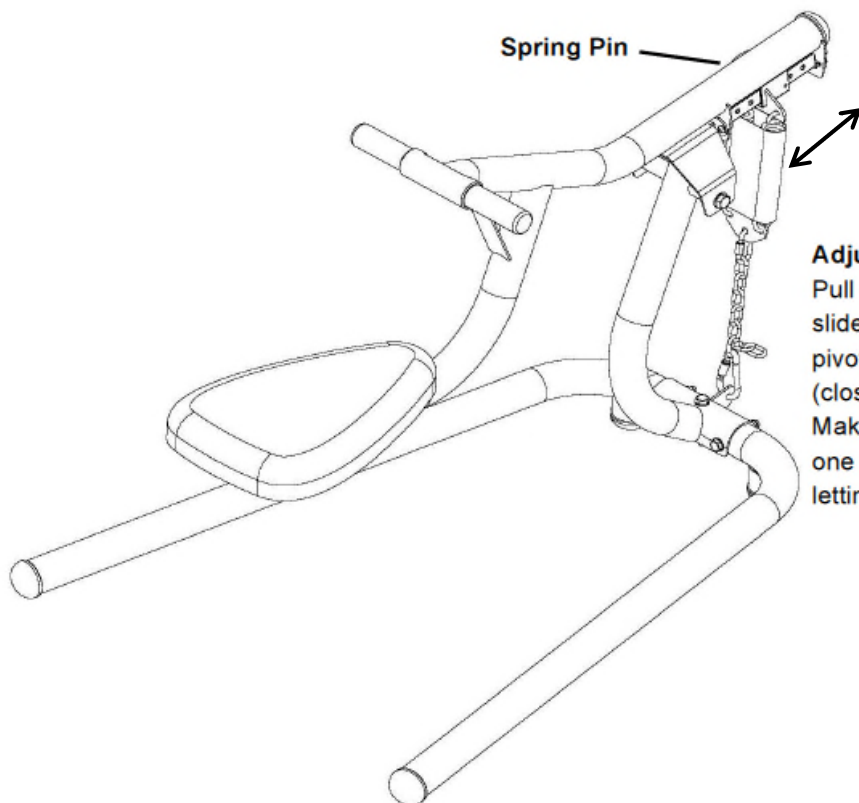
IMPORTANT: ADJUSTMENTS FOR USING



Adjusting Seat Height.

Lift seat to create slack in the chain. Slide sleeve lock of spring link up and open spring link and unhook from base. To raise seat move spring link up on chain. To lower seat, move spring link down on chain. Hook spring link back to base as shown so the wide part is down on the base flange. Slid sleeve lock back down to ensure the spring link is locked and cannot open. Test by bouncing with your hands before letting a child use.

Spring link must have wide side down as shown!



Adjusting Bounce Resistance.

Pull out knob on spring pin and slide spring sleeve out (away from pivot) for more resistance or in (closer to pivot) for less resistance. Make sure spring pin is engaged in one of the holes securely before letting a child bounce.

GYM DANDY[®]

LIMITED WARRANTY

Gym Dandy[®] warrants this product to be free from defects in workmanship and material, under normal use and service conditions, for a period of two years on the Frame from the date of purchase. This warranty extends only to the original purchaser. Gym Dandy's obligation under this Warranty is limited to replacing or repairing, at Gym Dandy's option.

All returns must be pre-authorized by Gym Dandy. Pre-authorization may be obtained by calling Gym Dandy's Customer Service Department at 1-714-376-9881. All freight on products returned to Gym Dandy must be prepaid by the customer. This warranty does not extend to any product or damage to a product caused by or attributable to freight damage, abuse, misuse, improper or abnormal usage or repairs not properly completed according to assembly in the Assembly Manual. No other warranty beyond that specifically set forth above is authorized by Gym Dandy.

Gym Dandy is not responsible or liable for indirect, special or consequential damages arising out of or in connection with the use or performance of the product or other damages with respect to any economic loss, loss of property, loss of revenues or profits, loss of enjoyments or use, costs of removal, installation or other consequential damages or whatsoever natures. Some states do not allow the exclusion or limitation of incidental or consequential damages. Accordingly, the above limitation may not apply to you.

The warranty extended hereunder is in lieu of any and all other warranties and any implied warranties of merchantability for a particular purpose is limited in its scope and duration to the terms set forth herein. Some states do not allow limitations on how long an implied warranty lasts. Accordingly, the above limitation may not apply to you.

This warranty gives you specific legal right. You may also have other rights which vary from state to state.

ORDERING REPLACEMENT PARTS

Replacement parts can be ordered by calling our Customer Service Department at **1-714-376-9881** during our regular business hours: Monday through Friday, 9 am until 5 pm Pacific standard time.

When ordering replacement parts, always give the following information.

1. Model
2. Description of Parts
3. Part Number
4. Date of Purchase
5. Serial #